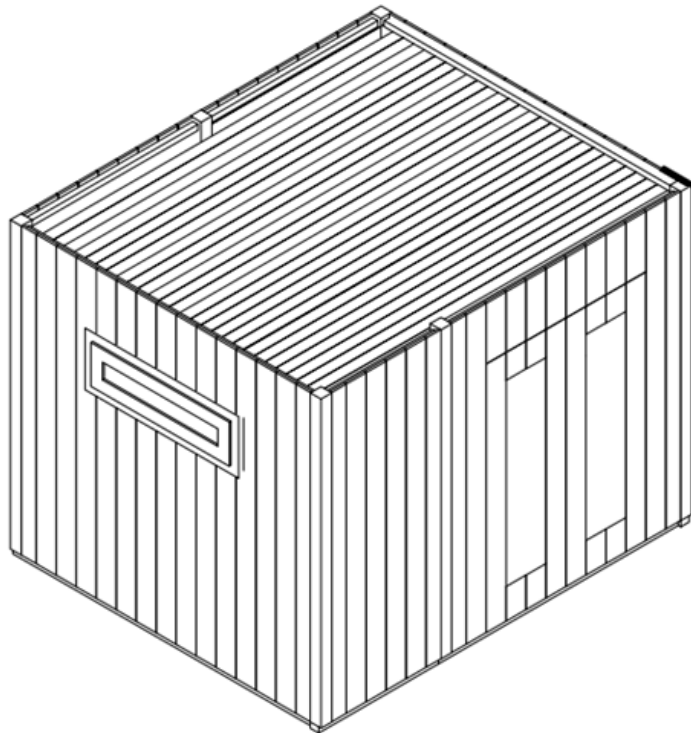
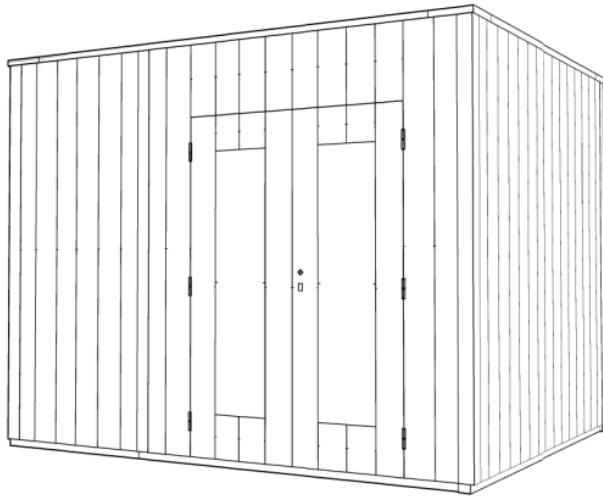
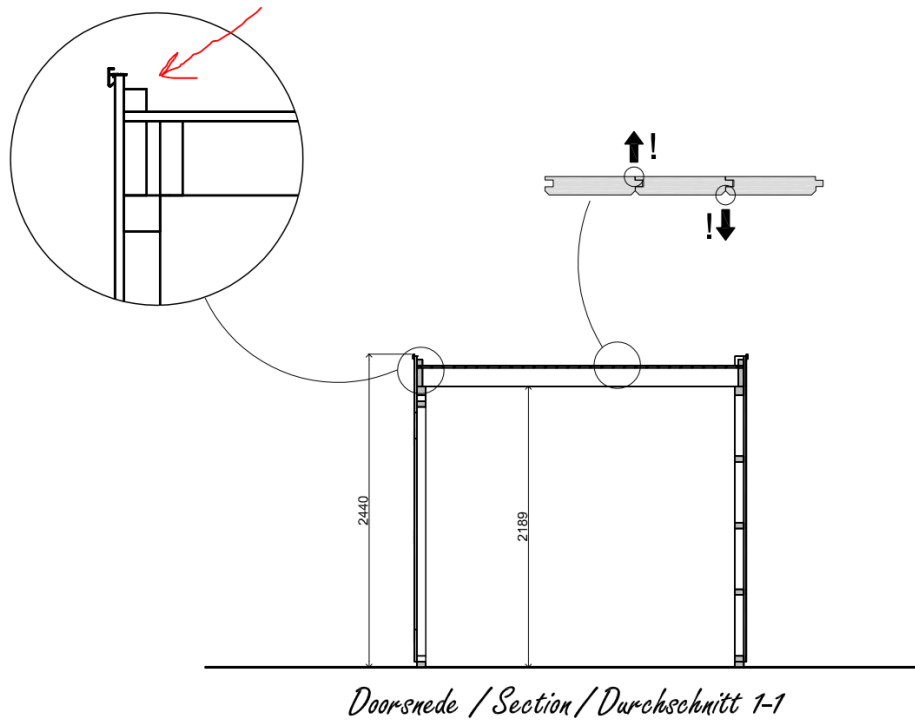


Gluing-in an outlet for a panel-system-roof without overhang

This is the type of cabin this applies to:



Roof construction detail:



In this manual we assume you already know how to attach an EPDM membrane to a flat roof.

Here's how to integrate this outlet in the EPDM flat roof:

The X and Y size if the outlets pipe is 40 x 40 mm

